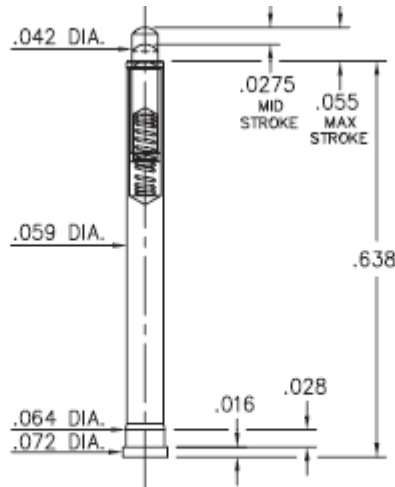




DATA SHEET

Product Number: 0905-0-00-00-00-00-11-0



0905-0-00-00-00-00-11-0
 Standard stroke, Surface mount
 Highest Profile

Description:

0905 - Spring-Loaded Pin

Packaging:

Packaged in Bulk

| Mill-Max Part Number | Shell Plating | Contact Plating | RoHS Compliant |
|-------------------------|------------------------|-----------------|----------------|
| 0905-0-00-00-00-00-11-0 | 20 μ" Gold over Nickel | 00 | |

SHELL MATERIAL:

BRASS ALLOY (UNS C36000) per ASTM B 16

Properties of BRASS ALLOY:

- Chemical composition: Cu 61.5%, Zn 35.4%, Pb 3.1%†
- Hardness as machined: 80-90 Rockwell B
- Density: .307 lbs/in³
- Electrical conductivity: 26% IACS*
- Melting point: 900°C/885°C (liquidus/solidus)

†(3 to 4% lead is used to permit "free machining" and is permitted by EC Directive 2002/95Annex 6; so all pin materials are RoHS compliant)

*International Annealed Copper Standard, i.e. as a % of pure copper.